

FPS

IGPDS Series

Installation Manual



Franklin Electric

This instruction sheet provides you with the information required to safely own and operate your Franklin pump. Retain these instructions for future reference.

The Franklin pump you have purchased is of the highest quality workmanship and material, and has been engineered to give you long and reliable service. Franklin pumps are carefully tested, inspected, and packaged to ensure safe delivery and operation. Please examine your pump carefully to ensure that no damage occurred during shipment. If damage has occurred, please contact the place of purchase. They will assist you in replacement or repair, if required.

READ THESE INSTRUCTIONS CAREFULLY BEFORE ATTEMPTING TO INSTALL, OPERATE, OR SERVICE YOUR FRANKLIN PUMP. KNOW THE PUMP'S APPLICATION, LIMITATIONS, AND POTENTIAL HAZARDS. PROTECT YOURSELF AND OTHERS BY OBSERVING ALL SAFETY INFORMATION. FAILURE TO COMPLY WITH THESE INSTRUCTIONS COULD RESULT IN PERSONAL INJURY AND/OR PROPERTY DAMAGE!

SEAL FAILURE SENSOR

The Franklin Electric Dual Seal Grinder Series pumps come equipped with two mechanical seals. There is an upper seal and lower seal which protects the motor from moisture. Between the seals is an oil chamber which houses the lower seal fail probe. In the event of a lower seal failure, water will seep into the chamber and the probe will detect the moisture. This will in turn send a signal to the relay in the control panel indicating that the lower seal should be replaced. Early detection allows seal replacement rather than pump replacement.

DESCRIPTION

Franklin submersible grinder pumps are recommended for use in basins or lift stations and are suitable for pumping residential sewage, commercial effluent, wastewater, and other non-explosive, non-corrosive liquids.

Franklin grinder pumps utilize a cutting mechanism, located on the suction side of the pump, that cuts solids into a slurry. A semi-vortex, non-clog impeller then passes this slurry directly through the volute and into the discharge line.

Franklin automatic grinder pumps are equipped with a float switch that allows the pumps to operate automatically by cycling them on and off. The float switches are attached to the pumps at a pre-determined tether length of 9". CHECK THE TETHER LENGTH ON YOUR PUMP TO ENSURE THAT IT HAS NOT CHANGED DURING SHIPPING. A tether length of more than 9" could damage the pump by allowing it to run dry.

Franklin offers complete control panel systems for automatic operation along with a complete line of alarms, basins, covers, and check valves. A Franklin pump panel or capacitor and relay kit must be used for proper operation of single-phase pump.

Franklin pumps are carefully packaged, 100% inspected, and tested to ensure safe operation and delivery. When you receive your pump, examine it carefully to determine that there are no broken or damaged parts which might have occurred during shipment. If damage has occurred, make notation and notify the firm from which you purchased the pump. They will assist you in replacement or repair. If required, pump must be installed by experienced professionals only, in accordance with local plumbing and electrical codes.

SPECIFICATIONS

Discharge Size	IGPDS – 1-1/4" FNPT vertical
Operating Capabilities	140 °F (60 °C)
Pump Housing	Cast iron with epoxy paint coating
Volute	Cast iron with epoxy paint coating
Impellers	Brass with pressure relief vanes
Motor	3450 rpm with automatic high-temperature protection
Hardware	300 Series stainless steel
Bearings	Upper and lower ball
Shaft Seals	Upper: Type 21, mechanical, spring loaded, rotating carbon with fluoroelastomer (FKM) bellows and stationary ceramic with fluoroelastomer (FKM) O-ring.
	Lower: Rotating silicon carbide with fluoroelastomer (FKM) and stationary silicon carbide with fluoroelastomer (FKM) O-ring.
Power Cord	14 AWG 3-conductor, copper, stranded – IGP-A
	14 AWG 4-conductor, copper, stranded – IGP-M
Cooling	The motor housing contains a dielectric oil to cool the motor and lubricate the bearings and seals. This pump is capable of operating with the motor housing partially exposed for extended periods of time, providing sufficient motor cooling and bearing lubrication. However, for the best cooling and the longest motor life, the liquid level being pumped should normally be above the top of the cast iron motor cover.
Cutters	440C stainless steel, hardened to Rockwell 60C

SAFETY GUIDELINES

⚠ WARNING RISK OF ELECTRIC SHOCK.

READ INSTRUCTIONS AND SAFETY GUIDELINES THOROUGHLY. FAILURE TO FOLLOW THESE COULD RESULT IN SERIOUS INJURY OR PROPERTY DAMAGE!

⚠ WARNING DURING NORMAL OPERATION THE SWITCH AND PUMP ARE IN CONTACT WITH WATER. EXERCISE EXTREME CAUTION WHEN WORKING NEAR THESE AREAS!

- Ensure that rising water can not reach electrical connections. Refer to the National Electrical Code and local requirements. A separate branch circuit is recommended for each pump. Do not use an extension cord.
- Always turn off the circuit breaker before touching, servicing, or repairing the switch or pump.
- Do not stand in water while changing fuses, resetting circuit breakers or repairing the switch.
- This pump is supplied with a grounding conductor. To reduce the risk of electric shock, be certain that it is connected only to a properly grounded, grounding-type receptacle or ground wire in the junction box.
- When a pump is in a basin, etc., do not touch motor housing, pipes or water until unit is unplugged or shut off. If your installation has water or moisture present, do not touch wet area until all power has been turned off. If shut-off box is not accessible, call the electric company to shut off service to the house, or call a certified electrician for instructions. Failure to follow this warning can result in fatal electric shock.
- In any installation where property damage and/or personal injury might result from an inoperative or leaking pump due to long term power outages, discharge line blockage or any other reason, a backup system with an alarm should be installed.
- Do not use to pump flammable or explosive fluids such as gasoline, fuel oil, kerosene, etc. Failure to follow this warning can result in personal injury and/or property damage.
- The pump motor is equipped with an internal thermal protector switch that opens to stop the motor when exceeding normal operating temperatures or the pump draws excessive current. This switch will reset itself and start the pump when cooled to normal temperatures.
- During normal operation the grinder pump is immersed in water. Also, during rain storms, water may be present in the surrounding area of the pump. Use caution to prevent bodily injury when working near the pump.
- To minimize possible fatal electrical shock hazard, use extreme care when changing breakers. Do not stand in water while changing breakers or insert anything other than the properly rated breaker in the breaker socket.
- Do not operate the pump in a dry basin. This will cause the pump to become extremely hot, causing burns if touched and/or damage to the pump.
- Do not check or add oil to the motor. The pump housing is sealed. A high-grade, dielectric oil devoid of water has been put into the motor housing at the factory. Use of other oil could cause serious electric shock and/or permanent damage to the pump and void warranty.
- Do not install the pump in locations classified as hazardous in accordance with the National Electric Code, ANSI/NFPA 70.
- Do not place hands, feet or clothing near the cutter mechanism when there is any possibility the pump is connected to a power source. This pump contains a cutting mechanism with very sharp edges that can cause severe bodily injury.

INSTALLATION (PUMP)

⚠ WARNING

NOTE: For best results, use a complete, factory-built basin package system. This system includes optimum materials of construction for operation.

1. Install the pump in a suitable gas-tight basin that is at least 24" in diameter and 48" deep, and vented in accordance with local plumbing codes.
2. Place the pump on a hard level surface. Never place pump directly on clay, earth or gravel surfaces. If you are unable to suspend the pump intake at least 3-1/2" from the bottom of the basin, use the provided leg accessory kit (available from Franklin).
3. The pump can be installed with ABS, PVC, polyethylene or galvanized steel pipe. If the pump is suspended by the discharge on a guide rail system, use the proper adapters to connect any non-metal pipe to the discharge.
4. Use a check valve in the discharge line to prevent back-flow of liquid into the basin. The check valve should be a free-flow valve that will easily pass solids. A ball check valve is recommended.

⚠ CAUTION For best performance when handling solids, install the check valve horizontally. If installed vertically, solids may settle in the valve and prevent it from opening at start-up.

5. To allow for cleaning of the check valve or removal of the pump, install a gate valve following the check valve.

For automatic operation IGP-M pump must be wired into a control panel. Installation instructions are included with all Franklin control panels and should be referred to for installation.

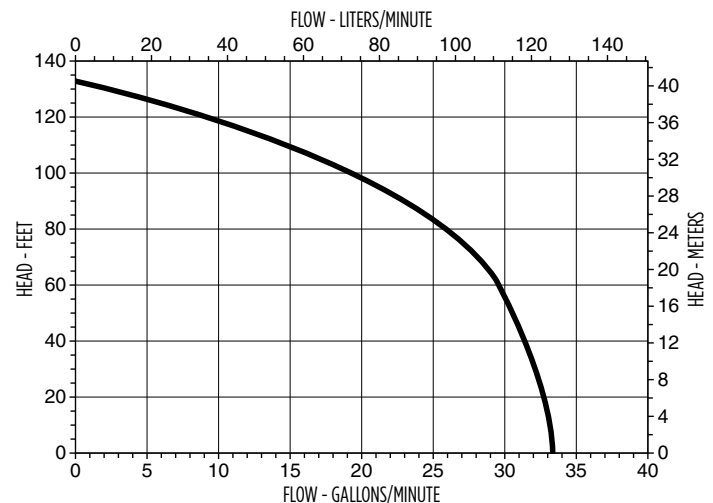
Pump will not run if wired directly into an electrical outlet. This pump requires a Franklin capacitor kit and/or control panel, which contains the appropriate start and run capacitors in conjunction with a relay for

proper operation. Refer to the instruction manual for capacitor kit or control panel operation values. If this pump is run with incorrect capacitors or relay, there could be severe damage to the pump motor and/or control panel.

3-PH Models

Improper impeller rotation will result in damage to the pump. Rotation must be checked at installation. After completing the wiring and with the disconnect switch in the "OFF" position, lay the pump on the side to observe the direction of the rotation through the intake.

NOTE: Contact with pump when energized could result in electrical shock. Turn disconnect switch to the "ON" position momentarily. The impeller should be rotating counterclockwise. An alternate method is to observe the kickback of the freely suspended pump as it starts. The kickback should be in counterclockwise direction looking onto the top of the pump. To change the direction of rotation, interchange any two of the white, red or black wires of the pump at the disconnect box.



PUMP PERFORMANCE CURVE

PUMP PERFORMANCE AND SIZING

ITEM NO.	MODEL NO.	HP	PH	VOLTS	HZ	AMPS/WATTS	GPM @ HEAD						SHUT-OFF	POWER CORD	
							10'	20'	40'	60'	80'	100'			120'
515722	IGPDS-M231-30	2	1	208-230	60	13.9/3200	33	32	31	30	25	20	10	130	30
515723	IGPDS-M231-50	2	1	208-230	60	13.9/3200	33	32	31	30	25	20	10	130	50
515724	IGPDS-M233-30	2	3	208-230	60	10.0/1300	33	32	31	30	25	20	10	130	30
515725	IGPDS-M233-50	2	3	208-230	60	10.0/1300	33	32	31	30	25	20	10	130	50
515726	IGPDS-M463-30	2	3	460	60	4.5/1025	33	32	31	30	25	20	10	130	30
515727	IGPDS-M463-50	2	3	460	60	4.5/1025	33	32	31	30	25	20	10	130	50
515728	IGPDS-M575-30	2	3	575	60	3.0/850	33	32	31	30	25	20	10	130	30
515729	IGPDS-M575-50	2	3	575	60	3.0/850	33	32	31	30	25	20	10	130	50
515741*	IGPDS-A231-30	2	1	208-230	60	13.9/3200	33	32	31	30	25	20	10	130	30

* No probe

WIRING

⚠ WARNING Check local electrical and building codes before installation. The installation must be in accordance with their regulations as well as the most recent edition of the National Electric Code (NEC).

1. Connect or wire the pump to a dedicated circuit with no other outlets or equipment in the circuit line.
2. Ensure that the circuit breaker is of ample capacity in the electrical circuit (Table 1).

Table 1

HP	VOLTS	CIRCUIT BREAKER AMPS
2	208-230	20

Table 2

1-PH WINDING RESISTANCE VALUES						
HP	SPEED	VOLTS	PH	WINDING RESISTANCE IN OHMS		
				BLACK TO WHITE	BLACK TO RED	RED TO WHITE
2	3450	208-230	1	1.1	2.2	3.3

The motor windings have a fixed resistance value and must be close to those given in chart. To check winding resistance values, disconnect pump cord from control panel and measure resistance at cord end. Refer to control panel instructions for complete wiring diagram.

Table 3

T1	Common	Black
T4	Main	White
T5	Auxiliary	Red

Table 4

3-PH WINDING RESISTANCE VALUES						
HP	SPEED	VOLTS	PH	WINDING RESISTANCE IN OHMS		
				BLACK TO WHITE	BLACK TO RED	RED TO WHITE
2	3450	230	3	1.8	3.0	3.0
2	3450	460	3	6.6	6.5	6.5
2	3450	575	3	10.3	10.3	10.3

LIQUID LEVEL CONTROL (FLOAT SWITCH)

The RFSN-20 liquid level control is designed to be used with the IGP-A automatic grinder pumps. It uses a switch sealed in a plastic float cylinder. When the fluid level in the basin causes the cylinder to float to an approximate angle of 45°, the switch activates and starts the pump.

Electrical Specifications

- 230 VAC, 60 Hz, Single-Phase
- Maximum pump running current 20 amps
- Maximum pump starting current 120 amps
- Recommended for use on pumps of 3 hp or less provided pump draw does not exceed 20 running amps or 120 starting amps.

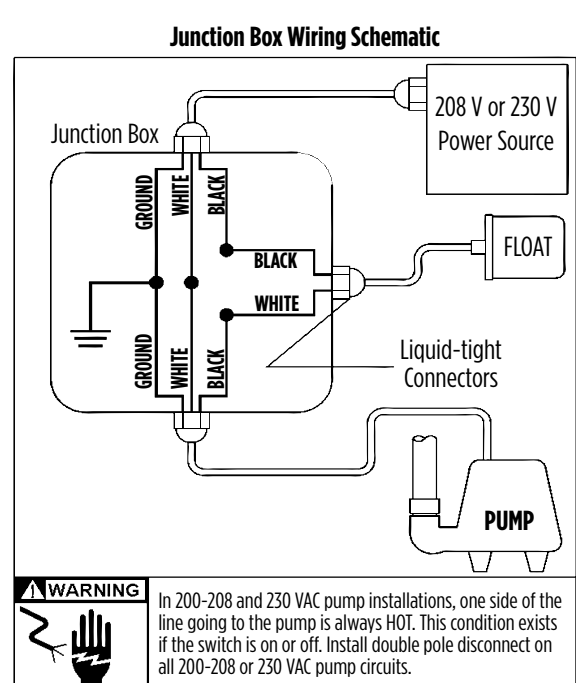
Installation

The automatic grinder pump is shipped with the float switch installed at the factory. The float switch is attached to the pump at a pre-determined tether length of 9". CHECK THE TETHER LENGTH ON YOUR PUMP TO ENSURE THAT IT HAS NOT CHANGED DURING SHIPPING. A tether length of more than 9" could damage the pump by allowing it to run dry. Once the pump is installed, adjust the switch if necessary (see TESTING section).

Wiring

The automatic grinder pump requires use of a junction box for wiring the float switch to the pump power cord. Wiring the junction box could result in possible injury due to electric shock if not performed by a certified electrician. Franklin assumes no responsibility for improper wiring of the pump/float switch in the junction box (Figure 2).

Figure 2 - AUTOMATIC GRINDER



INSTALLATION (CAPACITOR/RELAY KIT)

⚠ WARNING When working on pump or switch, always disconnect pump power cord in addition to shutting off circuit breaker or removing the fuse.

⚠ WARNING Remove ONLY the four 3/16" hex head capacitor/relay cover screws. Removing other screws can result in the loss of cooling fluid and possible permanent damage to the pump.

The GPA-CK capacitor/relay kit contains:

- 270-324 MFD, 250 V, start capacitor
- 50 MFD, 370 V, run capacitor
- Motor start relay
- Capacitor bracket

Refer to Figure 3, Figure 7, and the following instructions to install the capacitor/relay kit:

1. Remove the pump from power.
2. Thoroughly clean the pump.
3. Remove ONLY the four 3/16" hex head capacitor/relay cover screws. Use one screw to temporarily mount the cover upside down on the motor housing.
4. Carefully remove the white (T4), red (T5), and black (T1) wires from the white, red, and black terminals on the motor housing. Using an ohmmeter, verify that the motor coil resistance values are within the specifications shown in Figure 7. If the resistance values are too low or high (open circuit), the pump must be replaced.
5. Remove the old capacitor assembly from the motor housing by removing the screw holding the relay to the capacitor bracket, and then removing the two screws holding the capacitor bracket to the housing.
6. Remove the green, black, and white wires from the power cord terminal in the cover.
7. Remove the ground wire from the motor housing.

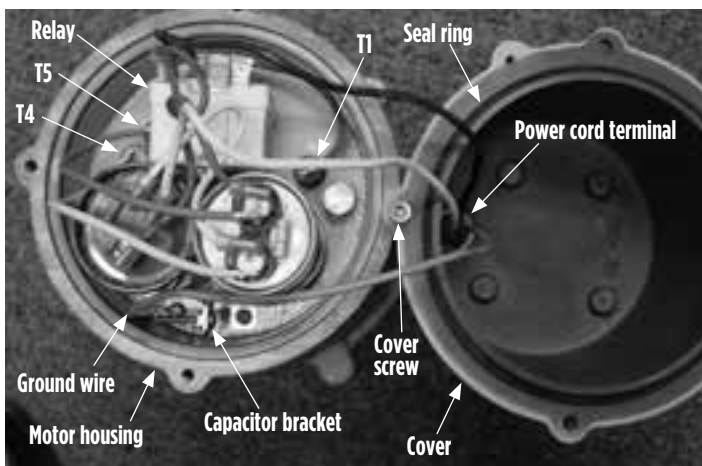
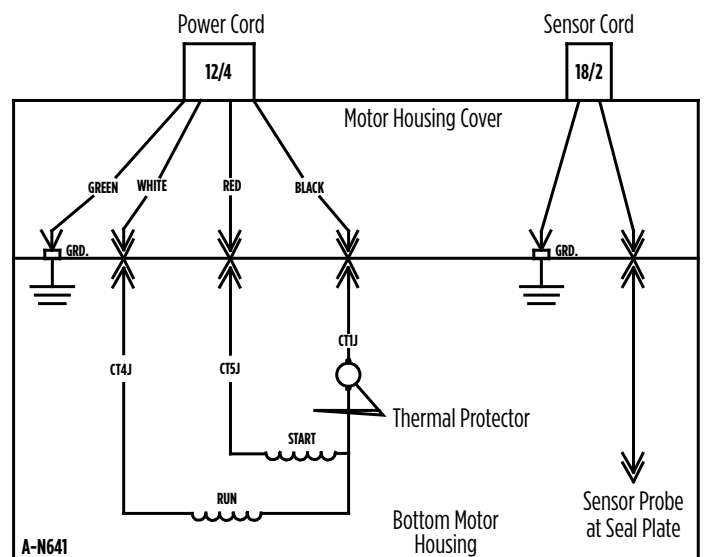


Figure 3 - AUTOMATIC GRINDER

8. Remove the old seal ring from the cover and thoroughly clean the surfaces on the cover and the gland in the motor housing where the seal ring will seat. If any foreign material is left on the seal contact surface the seal will not function properly and the pump will fail. Lightly lubricate the new seal ring with petroleum jelly and, being careful not to twist it, install the ring onto the cover. Confirm that the seal ring is not twisted after it is installed.
9. Install the 12" green ground wire from the kit. Be certain that a #8 lock washer is on the #8 x 1/4 inch screw, then screw it securely into the motor housing. For easier installation, place the screw and lock washer inside the ground lug while installing. Attach the other end of the ground wire (female) to the ground pin on the power cord terminal using needle nose pliers, being careful to push it straight onto the male terminal. Gently pull on the wire to confirm that it is securely attached. See the "Power Cord Assembly Looking into Pin Side" section of Figure 7 to confirm that the wire is attached properly. Check the connection by using an ohmmeter to confirm continuity from the green wire of the power cord to an unpainted part of the motor housing. The reading should be within a few tenths of ohms of zero for the length of the power cord.
10. Install the new capacitor assembly using the two #8 x 1/4 inch screws and lock washers through the two capacitor bracket screw holes. Temporarily remove the relay to install one of the screws holding the capacitor bracket to the motor housing.
11. Tighten both capacitor bracket screws and re-install the relay.
12. Connect the 12" black and 12" white wires to the remaining pins on the power cord terminal using needle nose pliers. Gently pull on each wire to confirm that it is securely attached. Connect the



WIRING DIAGRAM DUAL SEAL GRINDER

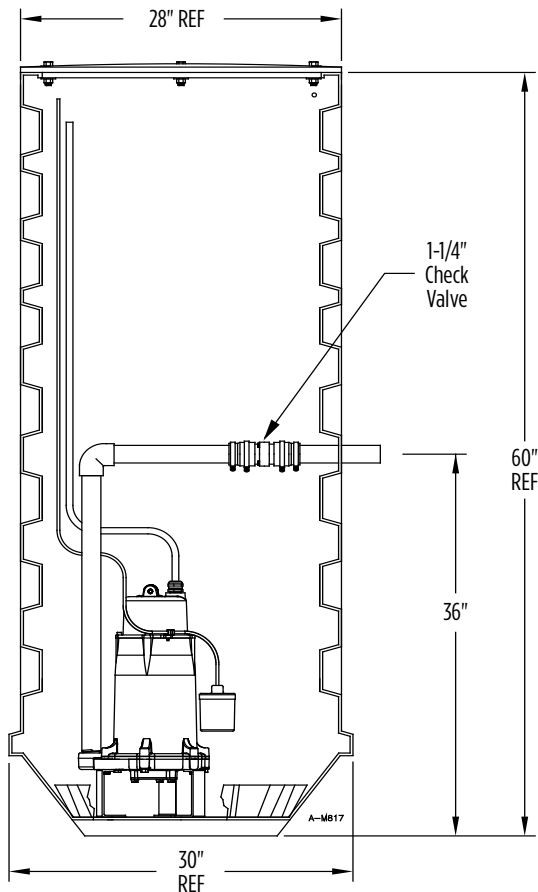
Figure 4

shorter black, white, and red wires by pushing them straight on to the black, white, and red terminals, respectively, in the motor housing. Gently pull on each wire to confirm that it is securely attached.

13. Confirm that there is no foreign material on the seal ring or in the motor housing gland for the seal ring. Re-install the cover by gently rotating it onto the motor housing. This will allow the wires to fall inside the housing without binding between the capacitors and the cover. Ensure that the float switch is properly located (Figure 7), then install the four 3/16" capacitor housing cover screws.
14. Refer to the MAINTENANCE AND SERVICING section and confirm that the volute is not clogged or cutters damaged. Verify once more that the ground is properly attached by checking resistance from the green ground wire of the power cord to one of the cover screws. Resistance should be very low if properly grounded. If not, go back to Step 9. Check the resistance between the black and white leads and verify that it is between 1 and 2 ohms.
15. Test the pump as described in the TESTING section.

Figure 5

TYPICAL AUTOMATIC GRINDER PUMP WITH BASIN ASSEMBLY



LEG KIT (599078) MUST BE USED WITH HARD-PIPED BASINS

TESTING

⚠ WARNING The cutters inside this pump are dangerous. Do not allow anything to enter the pump during testing.

1. Secure the pump so that the starting torque of the motor does not cause it to make contact with anyone or anything when it starts. Ensure that nothing will enter the intake.
2. Wire the pump according to the Liquid Level Control section and Junction Box Wiring Schematic (Figure 2), ensuring that the voltage matches that listed on the pump nameplate.
3. Apply power.
4. With the float switch hanging freely, verify that the motor remains off. Lift the float switch to approximately 45° and verify that the motor engages and turns freely. Allow the float switch to hang freely and verify that motor disengages.
5. Once the pump is securely installed, fill the basin with water and observe the operation of the float.

⚠ WARNING Never make float switch adjustments with the power on. Always be certain that power is off before making adjustments.

6. Adjust the tether length to between 6" and 9" (Figure 7). If necessary, adjust the direction or angle that the power cord exits the pump.

⚠ CAUTION The float or ball portion of the switch must not touch the pump, the walls of the basin, the plumbing or any wiring in the basin as it floats up or down. Contact with obstacles may cause the pump to continue running without water, or to stop running when water is present, damaging the pump or other property.

7. Go back to Capacitor/Relay Installation Step 1 if test is not successful, or see the TROUBLESHOOTING section.

MAINTENANCE AND SERVICING

⚠ WARNING Before working on pump or switch, always disconnect pump power cord in addition to shutting off circuit breaker or removing the fuse. Always wear eye protection.

⚠ WARNING This pump is equipped with a cutting mechanism that has very sharp edges. Use caution when working on or near these parts.

⚠ CAUTION Do not remove motor housing seal plate screws. The motor section of the pump is permanently lubricated with dielectric oil and sealed at the factory. Removal of these screws by anyone other than an authorized service center will break the seal and void the warranty.

⚠ CAUTION Clean the pump of all debris and deposits before disassembling.

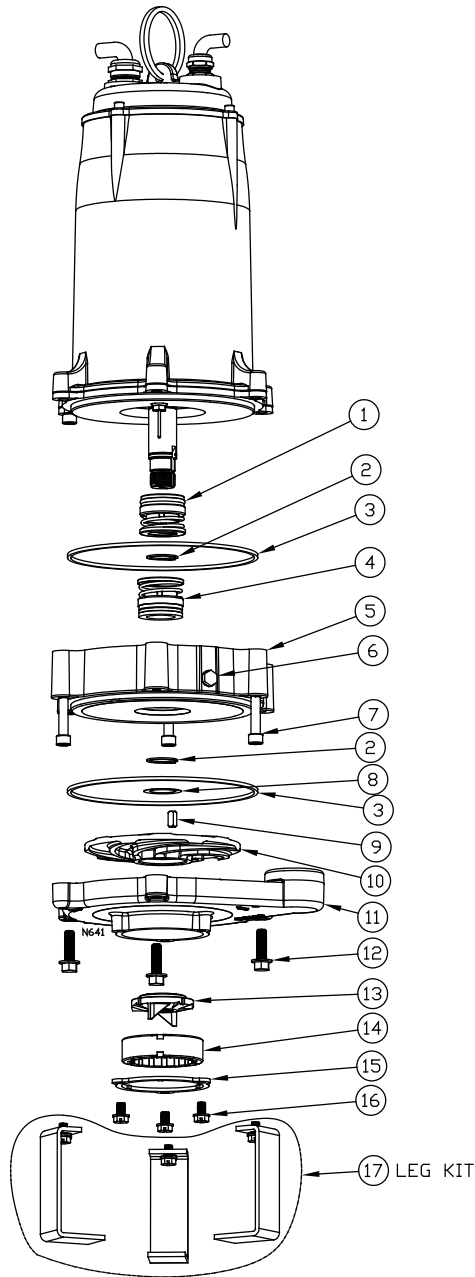
1. Lay the pump on its side on a smooth, hard surface.
2. Scribe a mark between the seal plate and volute, then remove the three 1-1/2" hex head screws.
3. To gain access to the rotating cutter, remove the volute by carefully tapping and prying it off the seal plate, taking care not to damage the seal plate or volute mounting surfaces.
4. To gain access to the stationary cutter, remove the retaining plate by removing the three 1/2" hex head screws.

NOTE: The stationary cutter can be removed from the volute without having to remove the volute.

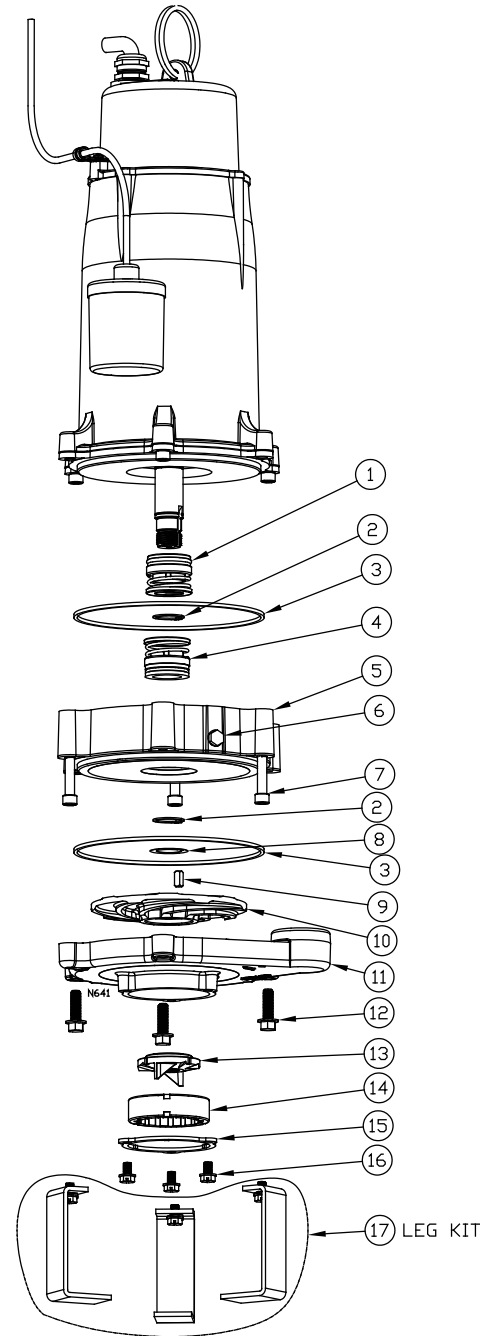
5. Remove the stationary cutter from the volute. If the stationary cutter is worn, it can be turned over once to use the other cutter edge. If the stationary cutter is damaged, it must be replaced.
6. Under good light, inspect the two edges of the rotating cutter. If the rotating cutter edges appear dull, pitted or otherwise damaged, the cutter should be replaced.

7. Remove the rotating cutter by first securing the impeller from rotating using a large, straight screwdriver inserted in the end of the motor shaft. Using a rubber mallet, tap the rotating cutter to unscrew it in a counterclockwise direction. Localized heating may help loosen the cutter.
8. Thoroughly inspect the motor shaft and rotating cutter threads, and remove any residue or debris. Chase the shaft with a 1-12 UNF die if necessary.
9. Before installing the new rotating cutter, secure the impeller from rotating using a large, straight screwdriver inserted in the end of the motor shaft. Gently tap on the impeller vane using a rubber mallet (clockwise). Apply a drop of Loctite 242 to the new rotating cutter threads and install the cutter onto the motor shaft. Secure the shaft with the screwdriver and tap the rotating cutter tight onto the impeller pilot and flush with the mating surfaces.
10. Install the stationary cutter into the volute. Reassemble the cutter retaining ring with the three flange hex head cap screws, and torque them to 100 in-lbs (11 N-m).
11. Thoroughly clean the volute and seal plate mounting surfaces. Any debris on the mounting surfaces can cause misalignment.
12. Reassemble the volute to its original orientation by realigning the scribe marks. Because of the tight pilot fit, use a rubber mallet to mate the volute to the seal plate, then install the 3 flange hex head cap screws. Torque the screws to 100 in-lbs (11 N-m) with a drop of Loctite 242.
13. Be sure the rotating cutter and impeller turn freely.

REPLACEMENT PARTS



MANUAL WITH SENSING CAPABILITY



AUTOMATIC WITH NO SENSING CAPABILITY

Figure 6

Table 5 - Dual Seal Grinder Replacement Parts

REPLACEMENT PARTS			
ITEM NO.	PART NO.	DESCRIPTION	QTY.
1	926041	SHAFT SEAL ASSY CERAMIC	1
2	923021	RETAING RING	2
3	928048	SEAL RING NITRILE	2
4	926050	SHAFT SEAL ASSY SILICON CARBIDE	1
5	120090202	OIL CHAMBER DUAL SEAL	1
6	929302	HEX PIPE PLUG 1/4" NPT BRASS	1
7	275304611	SOCKET HD SCRWE 3/8"-16 X 250 SST	3
8	155063110	.010 SHIM	VARIES
	155063119	.005 SHIM	VARIES
9	282542201	KEY 1/4" X 1/4" X 5/9" SST	1

REPLACEMENT PARTS			
ITEM NO.	PART NO.	DESCRIPTION	QTY.
10	120456101	IMPELLER BRASS	1
11	120431	VOLUTE	1
12	903742	HEX HEAD BOLT 3/8"-16 X 1-1/4" FLANGED SST	3
13	120486	CUTTER RADIAL 400C	1
14	120485	CUTTER STATIONARY 400C	1
15	120476	RETAINING PLATE SST	1
16	903740	SCREW WASHER HEX 5/16"-18 X 1/2" SST	3
17	599078	LEG KIT, COMES WITH 3 SST LEGS 3 - SST 5/6" LOCK WASHERS 3 - SST 5/16"-18 X 1/2" SCREWS	1

REPLACEMENT PARTS

Figure 7

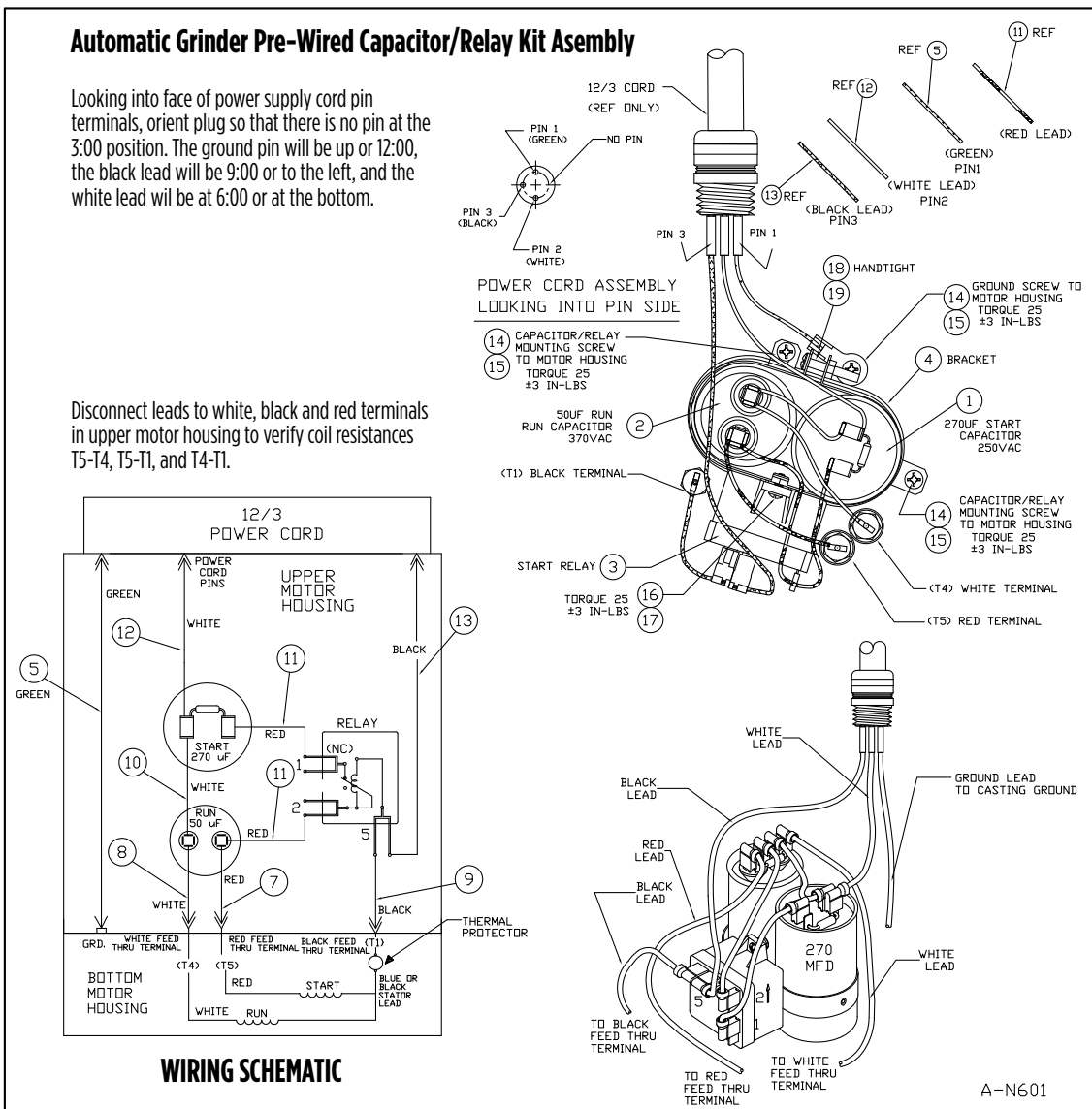


Table 6 - Capacitor/Relay Kit with Hardware (GPA-CK) #520859

REPLACEMENT PARTS			
ITEM NO.	PART NO.	DESCRIPTION	QTY.
1	950532	Capacitor, 270 mfd, 250 V, 2.00" Dia	1
2	950519	Capacitor, 50 mfd, 370 V, 1.75" Dia	1
3	950537	Relay, potential, start, 400 V, 50 amp	1
4	*	Bracket, capacitor, dual, relay, zinc-plated, cold roll	1
5	*	Wire lead Assy., 12", green, w/terminals, from power cord	1
6	*	Seal ring, nitrile, 5.359" I.D. x .134" wall, cover seal (not shown)	1
7	*	Wire lead Assy., 7.00", red, w/flag terminal and pin terminal	1
8	*	Wire lead Assy., 7.00", white, w/flag terminal and pin terminal	1
9	*	Wire lead Assy., 3.75", black, w/flag terminal and pin terminal	1
10	*	Wire lead Assy., 5.50", white, w/flag terminals	1

REPLACEMENT PARTS			
ITEM NO.	PART NO.	DESCRIPTION	QTY.
11	*	Wire lead Assy., 5.50", red, w/flag terminals	2
12	*	Wire lead Assy., 12", white, w/flag terminal and pin terminal	1
13	*	Wire lead Assy., 12", black, w/flag terminal and pin terminal	1
14	*	Screw, machine, 8-32 x 1/4, Phillips, ground and capacitor bracket	3
15	*	Washer, lock, #8 (1 for ground and 2 for switch bracket mounting)	3
16	*	Screw, machine, 6 x 3/8, pan head, stainless, relay	1
17	*	Nut, hex, nylon, 6-32, locknut, relay	1
18	*	Screw, machine, 8-32 x 1, Phillips, panhead, capacitor bracket	1
19	*	Nut, hex, 8-32, locking, serrated (for capacitor bracket)	1

*Item not for sale. Shown for reference only.

TROUBLESHOOTING

If pump does not operate properly, consult the TROUBLESHOOTING table.

⚠ WARNING Before working on pump or switch, always disconnect pump power cord in addition to shutting off circuit breaker or removing the fuse.

PROBLEM	PROBABLE CAUSES	CORRECTIVE ACTIONS
Pump does not turn on	Circuit breaker shut off or fuse removed	Turn on circuit breaker or replace fuse
	Accumulation of trash on or around float	Clean float and area around float
	Pump not wired correctly	Check wiring diagram and connections
	Float obstruction	Check float path and provide clearance
	Defective motor	Have pump serviced by authorized service center
	Defective float	Disconnect switch (float), check with ohmmeter, open-infinite resistance, closed zero
Pump will not shut off	Float obstruction	Check float path and provide clearance
	Pump is air locked	Shut power off for approximately 1 minute, then restart. Repeat several times to clear air from pump. A 3/16" hole should be drilled in discharge pipe approximately 2" above discharge connection. If there is already a hole drilled, check for stuck debris.
	Defective switch	Disconnect switch (float), check with ohmmeter, open-infinite resistance, closed zero.
	Loose connection in level control wiring	Check control wiring for loose or improper connection.
Pump runs but does not discharge liquid	Check valve installed backwards	Check flow-indicating arrow on check valve body to ensure it is installed properly.
	Check valve stuck or plugged	Remove check valve and inspect for proper operation.
	Inlet to impeller clogged	Remove pump from system and clean as described in MAINTENANCE section of manual.
	Pump is air locked	Shut power off for approximately 1 minute, then restart. Repeat several times to clear air from pump. A 3/16" hole should be drilled in discharge pipe approximately 2" above discharge connection. If there is already a hole drilled, check for stuck debris.
Pump does not deliver rated capacity	Lift too high for pump	Check rated pump performance
	Low voltage, speed too slow	Check for proper supply voltage to make certain it corresponds to nameplate voltage.
	Impeller or discharge pipe is clogged	Pull pump and clean. Check pipe for scale or corrosion
	Impeller wear due to abrasives	Replace worn impeller
Pump cycles continually	No check valve in long discharge pipe, allowing liquid to drain back into basin	Install check valve in discharge line
	Check valve leaking	Inspect check valve for obstruction or defect. Clean or replace
	Basin too small for inflow	Install larger basin (24" min. diameter)
Pump is noisy	Inlet may be clogged and overloading the motor	Remove pump from system and clean as described in MAINTENANCE section of manual.
	Grinder element may be rubbing on each other due to bent shaft or misalignment	Have pump serviced by authorized service center
	Defective motor bearings	Have pump serviced by authorized service center
Circuit breaker trips	Improper wiring in junction box	Check wiring in junction box (see wiring diagram). If circuit breaker continues to trip, remove pump and take it to an authorized service center.
	Obstruction inside volute causing impeller to be locked	Refer to MAINTENANCE section of instruction sheet and remove volute to check impeller. If circuit breaker continues to trip, remove pump and take it to an authorized service center.

LIMITED WARRANTY

THIS WARRANTY SETS FORTH THE COMPANY'S SOLE OBLIGATION AND PURCHASER'S EXCLUSIVE REMEDY FOR DEFECTIVE PRODUCT.

Franklin Electric Company, Inc. and its subsidiaries (hereafter "the Company") warrants that the products accompanied by this warranty are free from defects in materials or workmanship of the Company that exist at the time of sale by the Company and which occur or exist within the applicable warranty period. Any distributor, sub-distributor, recipient, end-user and/or consumer agrees that by accepting the receipt of the products, the distributor, sub-distributor, recipient, end user and/or consumer expressly agrees to be bound by the terms of the warranty set forth herein.

I. Applicable Warranty Period

The products accompanied by this warranty shall be covered by this Limited Warranty for a period of 24 months from the date of original purchase by the consumer. In the absence of suitable proof of purchase date, the warranty period of this product will begin to run on the product's date of manufacture.

II. Instructions Applicable to this Limited Warranty

1. Consumers wishing to submit a warranty claim must return the products accompanied by this warranty to the point of purchase for warranty consideration.
2. Upon discovery of a defect, any personal injury, property damage or any other type of resulting damage, if applicable, shall be reasonably mitigated to the extent possible.
3. At its discretion, the Company may inspect products either at its facilities or in the field, and after determination of a warranty claim, will, at its option, repair or replace defective parts. Repaired or replaced parts will be returned freight prepaid by the Company.
4. This warranty policy does not cover any labor or shipping charges. The Company shall not be liable for any costs or charges attributable to any product testing, maintenance, installation, repair or removal, or for any tools, supplies, or equipment needed to install, repair, or remove any product.

III. Limitations Applicable to this Limited Warranty

THIS WARRANTY DOES NOT APPLY TO ANY OF THE FOLLOWING:

1. Brushes, impeller or cam on models with brush-type motors and/or flex-vane impellers.
2. Any product that is not installed, applied, maintained and used in accordance with the Company's published instructions, applicable codes, applicable ordinances and/or with generally accepted industry standards.
3. Any product that has been subject to misuse, misapplication, neglect, alteration, accident, abuse, tampering, acts of God (including lightning), acts of terrorism, acts of war, fire, improper storage or installation, improper use, improper maintenance or repair, damage or casualty, or to an excess of the recommended maximums as set forth in the product instructions.
4. Any product that is operated with any accessory, equipment, component, or part not specifically approved by the Company.
5. Use of replacement parts not sold by the Company, the unauthorized addition of non-Company products to other Company products, and the unauthorized alteration of Company products.
6. Products damaged by normal wear and tear, normal maintenance services and the parts used in connection with such service, or any other conditions beyond the control of the Company.
7. Any product that has been used for purposes other than those for which it was designed and manufactured.
8. Any use of the product where installation instructions and/or instructions for use were not followed.

9. Products connected to voltage other than indicated on nameplate.
10. Products where the pump was exposed to any of the following: sand, gravel, cement, grease, plaster, mud, tar, hydrocarbons, hydrocarbon derivatives (oil, gasoline, solvents, etc.) or other abrasive or corrosive substances.
11. Products in which the pump has been used for pumping of liquids above 140 °F.
12. Products in which the pump was allowed to operate dry (fluid supply cut off).
13. Products in which the sealed motor housing has been opened or the product has been otherwise dismantled by customer.
14. Products in which the cord has been cut to a length of less than three feet.

The Company reserves the right at any time, and from time to time, to make changes in the design and/or improvements upon its product without thereby imposing any obligation upon itself to make corresponding changes or improvements in or upon its products already manufactured and/or previously sold. The Company further reserves the right to substitute parts or components of substantially equal quality in any warranty service required by operation of this Limited Warranty.

This written Limited Warranty is the entire warranty authorized and offered by the Company. There are no warranties or representations beyond those expressed in this document.

THIS WARRANTY AND REMEDY IS IN LIEU OF ALL OTHER WARRANTIES AND REMEDIES INCLUDING WITHOUT LIMITATION, WARRANTIES OF MERCHANTABILITY AND/OR FITNESS FOR A PARTICULAR PURPOSE, WHICH ARE HEREBY SPECIFICALLY DISCLAIMED AND EXPRESSLY EXCLUDED. CORRECTION OF NON-CONFORMITIES, IN THE MANNER AND FOR THE PERIOD OF TIME AS SET FORTH ABOVE, SHALL CONSTITUTE FULFILLMENT OF ALL LIABILITY OF THE COMPANY TO THE PURCHASER WHETHER BASED ON CONTRACT, NEGLIGENCE, OR OTHERWISE.

THE COMPANY SHALL NOT BE LIABLE FOR INCIDENTAL, CONSEQUENTIAL OR SPECIAL DAMAGES SUCH AS, BUT NOT LIMITED TO:

DAMAGE TO OR LOSS OF OTHER PROPERTY OR EQUIPMENT, LOSS OF USE OF EQUIPMENT, FACILITIES OR SERVICE, LOSS OF PROFIT OR SALES, COST OF PURCHASES OR REPLACEMENT GOODS, CLAIMS OF CUSTOMERS OF THE PURCHASER, FAILURE TO WARN AND/OR INSTRUCT, LOSS OF OTHER PRODUCTS, OR COSTS OF ENVIRONMENTAL REMEDIATION, OR DIMINUTION IN PROPERTY VALUE. THE REMEDIES OF THE PURCHASER SET FORTH HEREIN ARE EXCLUSIVE, AND THE LIABILITY OF THE COMPANY SHALL NOT, EXCEPT AS EXPRESSLY PROVIDED HEREIN, EXCEED THE PRICE OF THE PRODUCTS UPON WHICH SUCH LIABILITY IS BASED. DAMAGES AS SET FORTH IN THIS PARAGRAPH SHALL BE REASONABLY MITIGATED TO THE EXTENT POSSIBLE. THIS PARAGRAPH SHALL ALSO APPLY TO ALL DAMAGES RESULTING FROM CONDITIONS SET FORTH IN SECTION III ABOVE AND (1) DEFECTS IN PRODUCT PROTOTYPES OR REPLACEMENT PART PROTOTYPES THAT HAVE NOT BEEN PUT INTO PRODUCTION, CIRCULATED AND SOLD BY THE COMPANY, AND/OR (2) DEFECTS THAT WERE NOT FOUND AT THE TIME OF SALE DUE TO SCIENTIFIC AND TECHNOLOGICAL REASONS.

This Limited Warranty gives you specific legal rights. You may have other rights, which vary according to the applicable laws and regulations. Where any term of this warranty is prohibited by such laws, it shall be null and void, but the remainder of this warranty shall remain in full force and effect.

DISCLAIMER: Any oral statements about the product made by the seller, the Company, the representatives or any other parties, do not constitute warranties, shall not be relied upon by the user, and are not part of the contract for sale. Seller's and the Company's only obligation, and buyer's only remedy, shall be the replacement and/or repair by the Company of the product as described above. Before using, the user shall determine the suitability of the product for his intended use, and user assumes all risk and liability whatsoever in connection therewith.

For technical assistance, please contact 866.271.2859
www.franklinengineered.com
